

Model TJCVC Check Valve Swing Type Flange End EMEA and APAC Only

General Description

The TYCO Model TJCVC Check Valve Swing Type Flange End is a compact and rugged swing type unit that allows water flow in one direction and prevents flow in the opposite direction. A resilient elastomer seal ensures a leak-tight seal and non-sticking operation. The valve is designed to minimize water hammer caused by flow reversal.

The valve has the following features:

- Flanged ends.
- Removable cover for ease of field maintenance.
- Installation can be in a horizontal position (with cover in the upward position), or vertical position (upward flow only) as shown in Figure 2.

NOTICE

The TYCO Model TJCVC Check Valve Swing Type Flange End described herein must be installed and maintained in compliance with this document, as well as with the applicable standards of the NATIONAL FIRE PROTECTION ASSOCIATION (NFPA), in addition to the standards of any authorities having jurisdiction, such as FM Global. Failure to do so may impair the performance of these devices.

The owner is responsible for maintaining their fire protection system and devices in proper operating condition. Contact the installing contractor or product manufacturer with any questions.

In all cases, the appropriate NFPA or FM Global installation standard, or other applicable standard, must be referenced to ensure applicability and to obtain complete installation guidelines. The general guidelines in this data sheet are not intended to provide complete installation criteria.

IMPORTANT

Refer to Technical Data Sheet TFP2300 for warnings pertaining to regulatory and health information.

Technical Data

Approvals

UL and C-UL Listed
FM Approved
Conforms to AWWA C508

Sizes

2 in. to 12 in. (DN50 to DN300)

Maximum Working Pressure

300 psi (20,7 bar)

Valve Assembly Finish

Red, non-lead paint

Physical Characteristics

Body	Ductile Iron*
Cover	Ductile Iron*
Clapper	Carbon Steel**
Clapper Arm	Ductile Iron*
Hinge Pin	Stainless Steel AISI 304
Seat	Bronze

*Ductile iron conforming to ASTM A536, Grade 65-45-12

**Carbon steel conforming to A36+SS304+EPDM

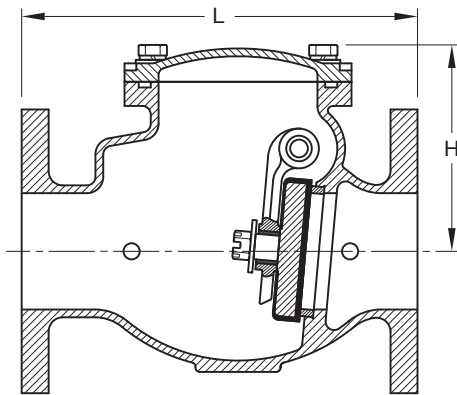


Installation

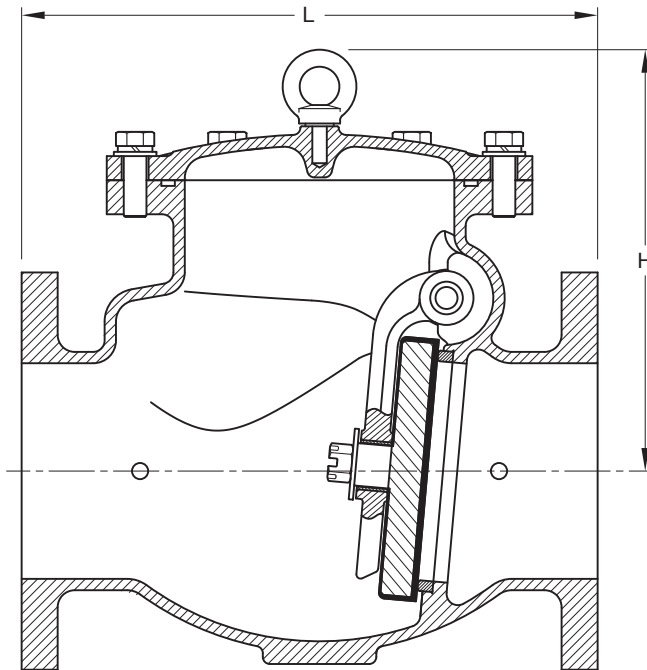
Install the TYCO Model TJCVC Check Valve Swing Type Flange End according to the following requirements:

- The arrow cast on the body must point in the direction of the flow.
- Each vertically installed valve must be positioned with the flow in the upward direction as shown in Figure 2.
- Each horizontally installed valve must be positioned with the cover facing up as shown in Figure 2.
- The valve must be installed in accordance with the manufacturer's instructions.
- The valves should be installed a reasonable distance downstream from pumps, elbows, expanders, reducers, or other similar devices to maintain the valve in optimal condition. Standard piping practices call for a minimum of five times the pipe diameter for general use.

Nominal Valve Size ANSI in. (DN)	Nominal Dimension in. (mm)		Nominal Valve Size ANSI in. (DN)	Nominal Dimension in. (mm)	
	H	L		H	L
2 (DN50)	4.6 (117)	8 (203)	6 (DN150)	11.69 (297)	16 (406)
2-1/2 (DN65)	5.04 (128)	10 (254)	8 (DN200)	14.37 (365)	19.5 (495)
3 (DN80)	5.04 (128)	11 (279)	10 (DN250)	16.44 (417,5)	22 (559)
4 (DN100)	8.76 (222,5)	13 (330)	12 (DN300)	17.83 (453)	26 (660)

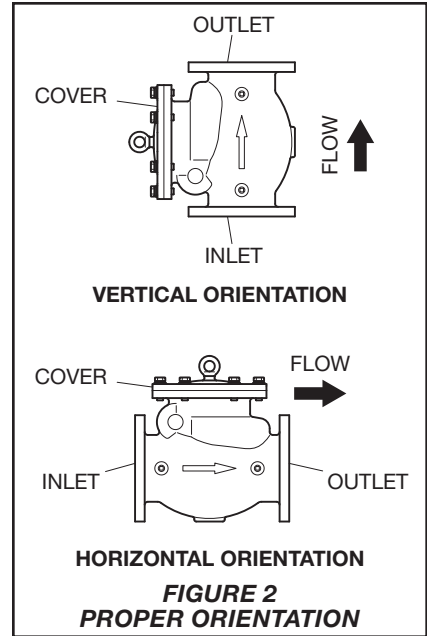


2 in. to 3 in. (DN50 to DN80)



4 in. to 12 in. (DN100 to DN300)

FIGURE 1
MODEL TJC VALVE FLANGE END SWING CHECK VALVE
NOMINAL DIMENSIONS



Care and Maintenance

The TYCO Model TJC Valve Check Valve Swing Type Flange End must be maintained and serviced in accordance with this section.

Before closing a fire protection system main control valve for maintenance work on the fire protection system that it controls, obtain permission to shut down the affected fire protection system from the proper authorities and notify all personnel who may be affected by this decision.

After placing a fire protection system in service, notify the proper authorities and advise those responsible for monitoring proprietary and/or central station alarms.

The owner is responsible for the inspection, testing, and maintenance of their fire protection system and devices in compliance with this document, as well as with the applicable standards of the NFPA such as NFPA 25, in addition to the standards of any authority having jurisdiction. Contact the installing contractor or product manufacturer with any questions. Any impairments must be immediately corrected.

Automatic sprinkler systems are recommended to be inspected, tested, and maintained by a qualified inspection service in accordance with local requirements and/or national codes.

No.	Description	Material	No.	Description	Material	No.	Description	Material
1	Clapper Arm	Ductile Iron	5	Clapper	Stainless Steel/EPDM*	9	Hinge Hole Sleeve	Aluminium Bronze
2	Clapper Hex Nut	Stainless Steel	6	Hinge Hole Plug	Stainless Steel	10	Clapper Hinge Sleeve	Aluminium Bronze
3	Clapper Washer	Stainless Steel	7	Hinge Gasket	EPDM*			
4	Clapper Split Pin	Stainless Steel	8	Hinge	Stainless Steel			

NOTES:
 *Ethylene propylene diene monomer

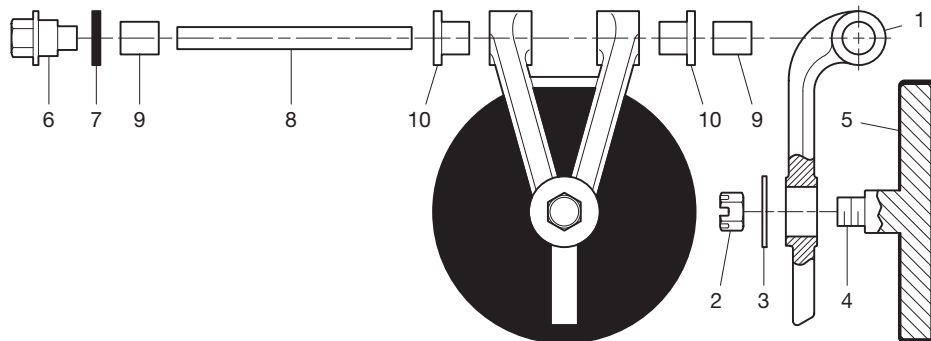
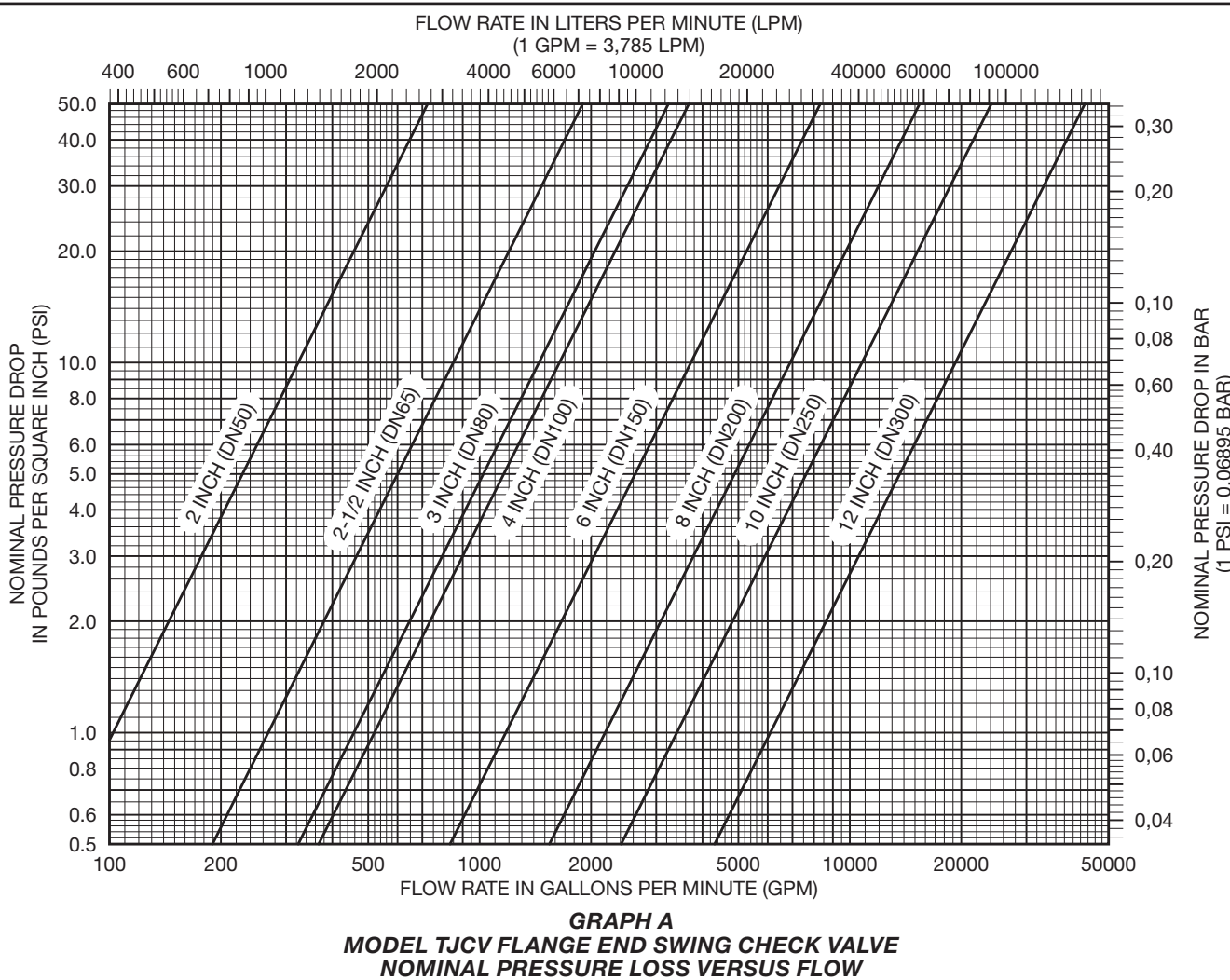


FIGURE 3
CLAPPER ASSEMBLY



Limited Warranty

For warranty terms and conditions, visit
www.tyco-fire.com.

Ordering Procedure

Contact your local distributor for availability. When placing an order, indicate the full product name and Part Number (P/N).

Model TJCVC Check Valve Swing Type Flange End

Specify: Model TJCVC Check Valve Swing Type Flange End, type, (specify), size (specify), P/N (specify):

ANSI 125

2 in. (DN50)	595902021
2 1/2 in. (DN65)	595902026
3 in. (DN80)	595902031
4 in. (DN100)	595902041
6 in. (DN150)	595902061
8 in. (DN200)	595902081
10 in. (DN250)	595902101
12 in. (DN300)	595902121

PN16

2 in. (DN50)	595902020
2 1/2 in. (DN65)	595902025
3 in. (DN80)	595902030
4 in. (DN100)	595902040
6 in. (DN150)	595902060
8 in. (DN200)	595902080
10 in. (DN250)	595902100
12 in. (DN300)	595902120

Replacement Clapper Assembly

Replacement Clapper Assembly includes parts shown in Figure 3.

Specify: Model TJCVC Swing Check Valve Replacement Clapper, type, (specify), size (specify), P/N (specify):

2 in. (DN50)	595910020
2 1/2 in. (DN65)	595910025
3 in. (DN80)	595910030
4 in. (DN100)	595910040
6 in. (DN150)	595910060
8 in. (DN200)	595910080
10 in. (DN250)	595910100
12 in. (DN300)	595910120