

Model TJST Y-Strainer EMEA and APAC Only

General Description

The TYCO Model TJST Y-Strainer provides strainer protection for piping equipment such as pumps, meters, valves, compressors, traps and similar equipment.

The strainer has the following features:

- Flanged ends
- Standard screen made of perforated stainless steel

NOTICE

The TYCO Model TJST Y-Strainer described herein must be installed and maintained in compliance with this document, as well as with the applicable standards of the NATIONAL FIRE PROTECTION ASSOCIATION (NFPA), in addition to the standards of any authorities having jurisdiction, such as FM Global. Failure to do so may impair the performance of these devices.

The owner is responsible for maintaining their fire protection system and devices in proper operating condition. Contact the installing contractor or product manufacturer with any questions.

In all cases, the appropriate NFPA or FM Global installation standard, or other applicable standard, must be referenced to ensure applicability and to obtain complete installation guidelines. The general guidelines in this data sheet are not intended to provide complete installation criteria.

Technical Data

Approvals
UL and C-UL Listed

Sizes
2 in. to 12 in. (DN50 to DN300)

Maximum Working Pressure
300 psi (20,7 bar) at 100°F (38°C)

Mesh Size
See Figure 1

Physical Characteristics

Body	Ductile Iron*
Cover	Ductile Iron*
Screen	Stainless Steel AISI 304
Gasket	EPDM Rubber**
Plug	Carbon Steel

*Ductile iron conforming to ASTM A-536, Grade 65-5-12

**Ethylene propylene diene monomer rubber



IMPORTANT

Refer to Technical Data Sheet TFP2300 for warnings pertaining to regulatory and health information.

Dimension.	Nominal Dimension in. (mm)							
	2 (DN50)	2-1/2 (DN65)	3 (DN80)	4 (DN100)	6 (DN150)	8 (DN200)	10 (DN250)	12 (DN300)
L	7.99 (203)	10 (254)	10.24 (260)	12.13 (308)	18.58 (472)	21.65 (550)	25.75 (654)	30 (762)
H	5.20 (132)	6.22 (158)	6.89 (175)	7.99 (202)	13.15 (334)	15.39 (391)	18.11 (460)	23.23 (590)
H1	7.68 (195)	9.45 (240)	10.63 (270)	12.60 (320)	19.49 (495)	22.44 (570)	27.56 (700)	33.07 (840)
Mesh Data	M1*	0.125 (3,18)		0.134 (3,4)	0.188 (4,78)	0.236 (6,0)		
	M2**	30		35	17	10		

NOTES:

* Hole Diameter

** Holes per square inch

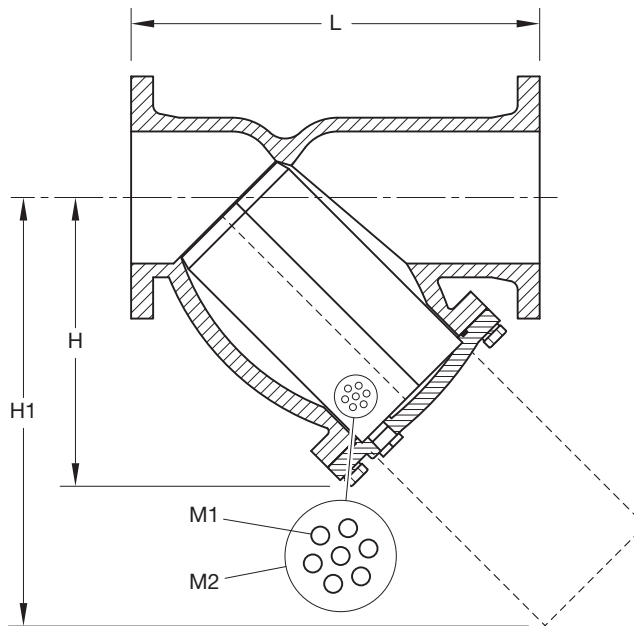


FIGURE 1
MODEL TJST Y-STRAINER
NOMINAL DIMENSIONS

Care and Maintenance

The TYCO Model TJST Y-Strainer must be maintained and serviced in accordance with this section.

Before closing a fire protection system main control valve for maintenance work on the fire protection system that it controls, obtain permission to shut down the affected fire protection system from the proper authorities and notify all personnel who may be affected by this decision.

After placing a fire protection system in service, notify the proper authorities and advise those responsible for monitoring proprietary and/or central station alarms.

The owner is responsible for the inspection, testing, and maintenance of their fire protection system and devices in compliance with this document, as well as with the applicable standards of the NFPA such as NFPA 25, in addition to the standards of any authority having jurisdiction. Contact the installing contractor or product manufacturer with any questions. Any impairments must be immediately corrected.

Automatic sprinkler systems are recommended to be inspected, tested, and maintained by a qualified inspection service in accordance with local requirements and/or national codes.

Nominal Strainer Size in. (DN)	Pressure Loss* psi (bar)
2 (DN50)	7.22 (0,5)
2-1/2 (DN65)	5.89 (0,41)
3 (DN80)	8.24 (0,57)
4 (DN100)	5.88 (0,41)
6 (DN150)	4.82 (0,33)
8 (DN200)	5.83 (0,40)
10 (DN250)	7.25 (0,5)
12 (DN300)	5.73 (0,4)

* = @15 ft/s (4.6 m/s)

TABLE B
MODEL TJST Y-STRAINER
NOMINAL FLOW AND
PRESSURE LOSS

Limited Warranty

For warranty terms and conditions, visit www.tyco-fire.com.

Ordering Procedure

Contact your local distributor for availability. When placing an order, indicate the full product name and Part Number (P/N).

Model TJST Y-Strainer

Specify: Model TJST Y-Strainer, size (specify), P/N (specify)

ANSI 125

2 in. (DN50)	596001021
2 1/2 in. (DN65)	596001026
3 in. (DN80)	596001031
4 in. (DN100)	596001041
6 in. (DN150)	596001061
8 in. (DN200)	596001081
10 in. (DN250)	596001101
12 in. (DN300)	596001121

PN16

2 in. (DN50)	596001020
2 1/2 in. (DN65)	596001025
3 in. (DN80)	596001030
4 in. (DN100)	596001040
6 in. (DN150)	596001060
8 in. (DN200)	596001080
10 in. (DN250)	596001100
12 in. (DN300)	596001120

